

Instructions for Applying FLOW-AIDE™ Descaler Solution in Tank Water Heaters Using Standpipe Method

GAS AND OIL-FIRED TANK TYPE WATER HEATERS

IMPORTANT! Prior to installing temporary standpipe completely flush tank water heater of water and remove heat source. Turn off all gas lines.

ELECTRIC TANK TYPE WATER HEATERS

IMPORTANT! Prior to installing temporary standpipe completely flush tank water heater of water and remove heat source. Shut off all power to the heater.

CAUTION: Remove relief valve while heater is draining. Do not replace relief valve until deliming is completed. Relief valve opening will also act as a vent in case of possible contact between the delimer and the anode rod(s), which may produce flammable hydrogen-air mixture.

CAUTION: Keep open flame and/or sparks away from relief valve opening and/or any other tank openings including the standpipe opening. Do not smoke near any tank or standpipe opening.

1. Using 3/4" N.P.T. fitting and nipples, make up a standpipe arrangement at the heater drain valve opening as shown in figures 1 and 2. Note: the use of PVC or CPVC Schedule 80 plastic fittings and nipples is recommended. Use Tape Unyte™ Teflon tape or Blue Magic pipe thread compound when making up any threaded connections.

INSERT PLASTIC FUNNEL IN THE STANDPIPE
NIPPLE POUR OPENING TO AVOID SPILLAGE.

2. Refer to recommended usage table below and slowly pour the proper amount of diluted FLOW-AIDE™ into heater tank through the standpipe. **Note:** The use of safety goggles and protective gloves are recommended, especially while pouring solution into standpipe. If splashing occurs, wash down with plenty of fresh cool water. See product label.

3. Allow the solution to remain in the tank until foaming stops, usually within 1 hour.

4. Place a clean plastic bucket adequately sized to receive the spent solution under the standpipe tee opening, remove plug and allow FLOW-AIDE™ to flow out of heater.

5. Empty the spent FLOW-AIDE™ down a clean, operable, floor drain or into a clean laundry tub drain while running fresh cool water into drain. Also, clean out jug thoroughly.

CAUTION

Prior to draining or disposing of the deliming solution, check the drain you will be using to make sure it is clean (free of any chemicals, cleaners, debris or any foreign matter) and operating properly. Run copious amounts of fresh, clear, cool water down the drain for at least 10 mins.

to make certain it does not back up and is devoid of any odors. If drain empties into sump pit, be sure enough fresh cool water is used to cycle the sump pump at least two times. If drain is not suitable, collect spent solution, store in properly labeled clean, vented/open glass, or reinforced plastic, poly-lined drum, etc. that can be safely transported to a suitable drain for disposal using the same method as noted above.

6. Cautiously observe the tank interior through the drain opening (a small flashlight may be used effectively). If the interior still shows scale deposits, add fresh delimer and repeat process.

7. After deliming has been completed, flush the tank with fresh water for at least 15 minutes, remove the standpipe and replace the drain valve.

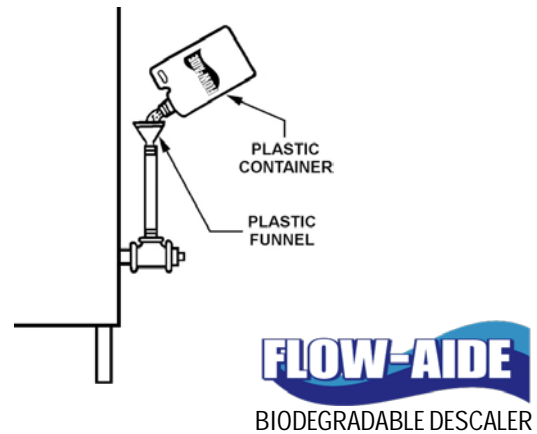


FIGURE 1

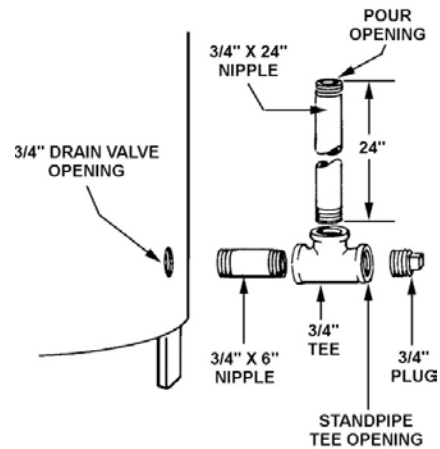


FIGURE 2

USAGE TABLE

Recommended Usage Gas, Electric and Oil Tank Type Water Heaters	FLOW-AIDE Required	Water Required
Storage Capacity: Less than 30 Gallons	1 Gallon	1 Gallon
Storage Capacity: 30 to 66 Gallons	1 ½ Gallons	1 ½ Gallons
Storage Capacity: 66 to 100 Gallons	2 ½ Gallons	2 ½ Gallons